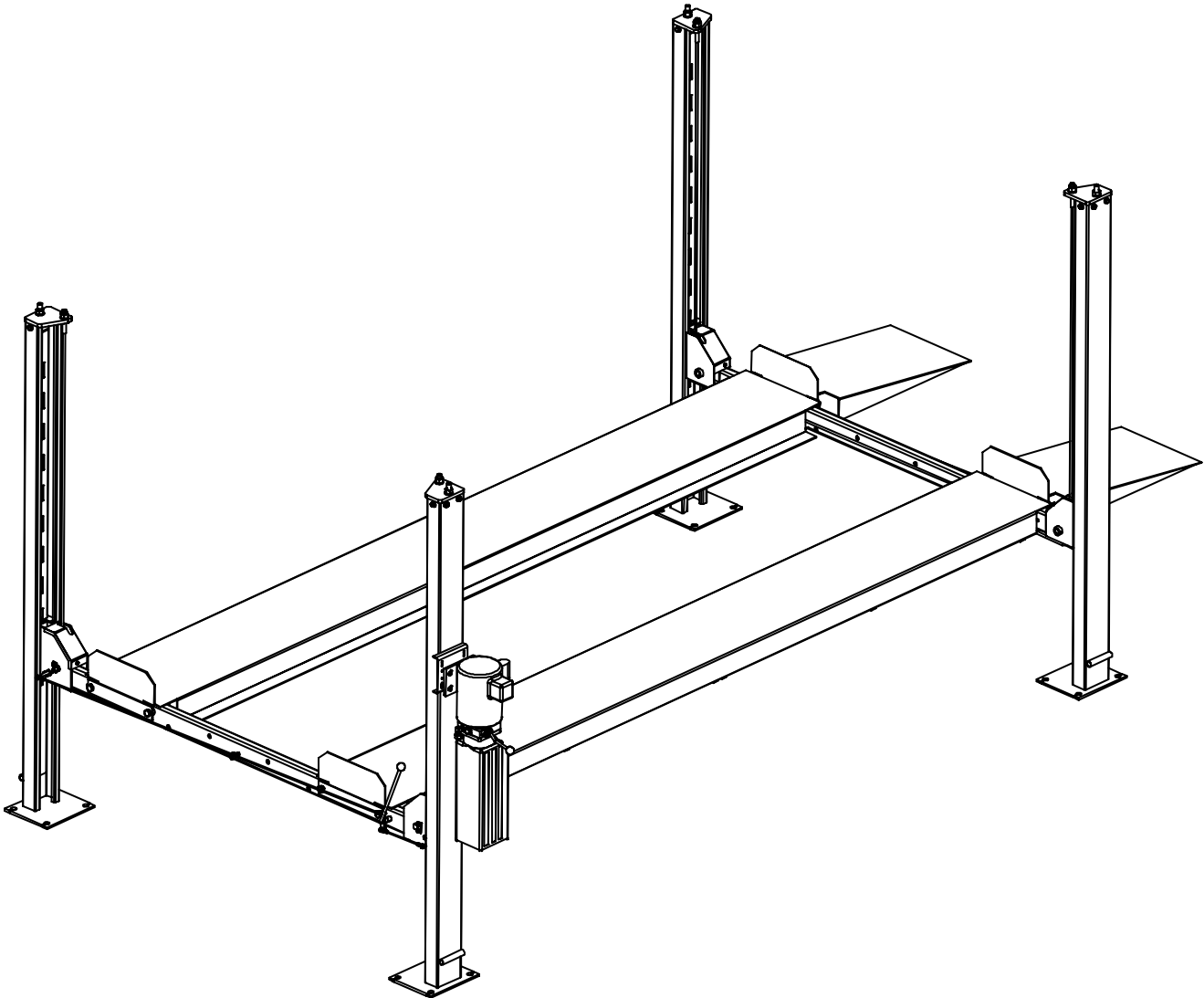


# PP8 Plus

## Four Post Lift

### 8,000 lbs. Capacity



## INSTALLATION / OWNERS MANUAL

**Read this manual thoroughly** before installing, operating, or maintaining this lift. When done with installation be sure to return documents to package and give all materials to lift owner/operator. When installation is complete be sure to run lift up and down a few cycles with and without “typical” vehicle loaded on lift.

# TABLE OF CONTENTS

• IMPORTANT INFORMATION	pg 2
• OWNER / EMPLOYER RESPONSIBILITY	pg 3
• LOCKOUT / TAGOUT	pg 3
• SAFETY PROCEDURES	pg 4
• LIFT SPECIFICATIONS & FLOOR PLAN	pg 6
• TOOLS REQUIRED	pg 7
• INSTALLATION INSTRUCTIONS	pg 7
• CASTER KIT ASSEMBLY / INSTALLATION	pg 11
• FOUNDATION & ANCHORING REQUIREMENTS	pg 13
• OPERATION INSTRUCTIONS	pg 15
• PREVENTIVE MAINTENANCE SCHEDULE	pg 17
• TROUBLESHOOTING	pg 19
• CABLE INSPECTION GUIDE	pg 20
• ILLUSTRATED PARTS LIST	pg 26
• WARRANTY POLICY	pg 34

## IMPORTANT INFORMATION

### Four Post Lifts

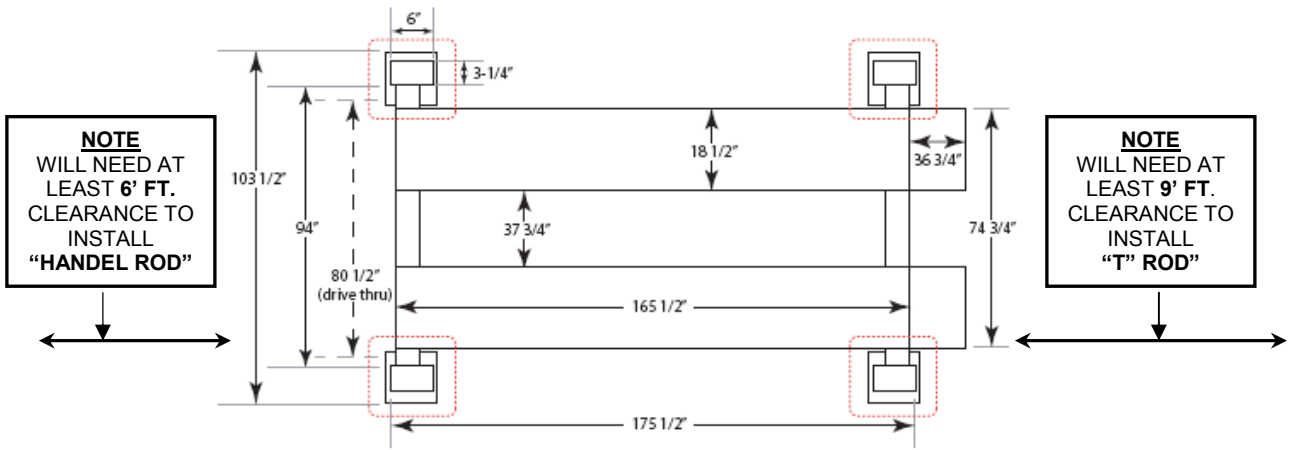
1. Always inspect the lift for damage and make note of any damage on the bill of lading.
2. In case of freight damage, call the truck line immediately and report the damage as a freight claim.
3. **IMPORTANT! Make sure you have extra help or heavy duty lifting equipment when unloading and assembling the lift..**
4. Please read the safety procedures and operating instructions in this manual before operating lift. Keep this manual near lift at all times. Make sure all operators read this manual.
5. The lift should be located on a relatively level floor of less than 3 degrees slope. If slope is questionable, consider a survey of the site and/or the possibility of pouring a new level concrete slab.
6. Make sure you have enough room to install the lock rods. **You will need at least 9' of clearance from the opposite end of the power unit end of the lift and 6' at the power unit end. (See floor plan on page 6).** The power unit may be installed on the driver's front or the passenger rear corner.
7. Never raise a car until you have double checked all bolts, nuts and hose fittings.
8. Always lock the lift before going under the vehicle or storing another vehicle underneath lift. Never allow anyone to go under the lift when raising or lowering.

This is a vehicle lift installation/operation manual and no attempt is made or implied herein to instruct the user in lifting methods particular to an individual application. Rather, the contents of this manual are intended as a basis for operation and maintenance of the unit as it stands alone or as it is intended and anticipated to be used in conjunction with other equipment.

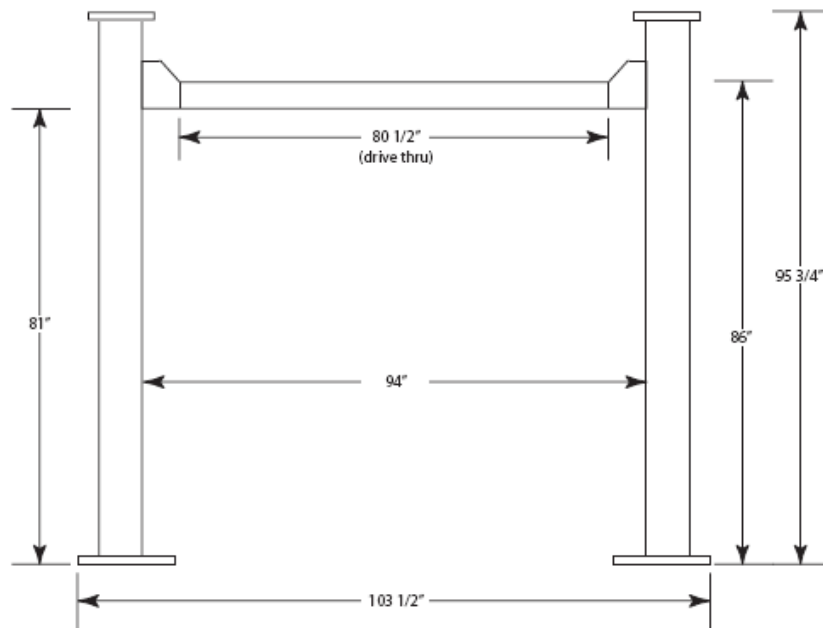
Proper application of the equipment described herein is limited to the parameters detailed in the specifications and the uses set forth in the descriptive passages. Any other proposed application of this equipment should be documented and submitted in writing to the factory for examination. The user assumes full responsibility for any equipment damage, personal injury, or alteration of the equipment described in this manual or any subsequent damages.

# LIFT SPECIFICATIONS & FLOOR PLAN

Capacity	8,000
Lifting Height	86" (7' 2")
Overall Length w/ Ramps	207-1/2" (17' 2 1/2")
Overall Length w/ no Ramps	175-1/2" (14' 7 1/2")
Overall Width	103 1/2" (8' 7 1/2")
Approach Ramp Length	36-3/4" (3' 3/4")
Runway Width	18-1/2" (1' 6 1/2")
Runway Length	165-1/2" (13' 9 1/2")
Runway Height	5"
Height of Columns	95-3/4" (7' 11 3/4")
Clearance between Columns	94" (7' 10")
Clearance between Runways	37-3/4"
Outside Runway to Outside Runway	74-3/4" (6' 2 3/4")
Clearance Under Runway	81" (6' 9")
Motor specs	110VAC, 1HP
Shipping Weight	1,733 LBS



Top View



Front View

## TOOLS REQUIRED

- Set of metric wrenches and/or sockets
- Adjustable wrench
- Locking pliers
- 25' Tape measure
- Step Ladder
- \*3 Gallons of Hydraulic Oil

\***Recommended Oil: ISO 32 Light Hydraulic Oil**

## INSTALLATION INSTRUCTIONS

1. Remove plastic wrap from top runway and remove all hardware. This includes the Power Unit, Drip Trays, Tool Box and / or any Jacks. **Note: You should find this manual either in the top of the runway or inside the Power Unit box.**
2. While the Mainside Runway (Item # 33) Figures # 1 & 4 is upside down, find the end of the Hydraulic Hose that is already connected to the cylinder. Locate the hole in the side of the runway and install the 90 degree fitting (Item # 37) securing to runway with Jam Nut.
3. Fully extend the cylinder rod by pushing or pulling on the Cylinder Pulley (Item # 44) on the end of the Cylinder (Item # 9) Figure # 6. Ensure that the Main Lifting Cable (Item # 52) is pre-routed through the Cylinder Pulley. Now verify that the Main Lifting Cable and both Hex Nuts (Item # 41) are pre-installed and fully tightened to the welded anchor plate and Cable Lock Plate (Item # 46).
4. Locate the four cable ends with Washer and Nyloc Nuts attached. Route the appropriate Cable through each hole in corners of the Mainside Runway as shown in Figure # 6. Take up as much cable slack as possible and lay each cable back into the runway. **Note: Make sure that cables are properly routed around pulleys and are not in a bind.**
5. Now unbolt the top runway (Mainside) from the shipping plates at each end of the runway, taking the necessary safety precautions (using some type of a hoist is recommended), as this runway will need to be flipped over so it is no longer upside down. Place this runway in your bay with the hydraulic fitting facing toward your previously chosen corner for the power unit. **Note: be careful not to pinch or damage cables.**
6. Next unbolt all four columns from the shipping package and place the column with the power unit mounting bracket in the above chosen corner. Arrange the other three columns in the remaining corners.

7. Unpack the Crossbeams, Ramps, Safety Latch Linkage Rods and Lock Ladders from bottom Runway. Remove the Safety Latch covers (Items # 58 & 69) Figure # 2 from Crossbeams. They will be reinstalled later. Arrange the Crossbeams so that the Safety Latches / threaded Bolt for the Locking Linkage is facing outward to ensure that both of the Connecting Rods (B) (Item # 79) are closest to the power unit side columns.
8. If you have means for securely lifting the Crossbeam (Item # 6) Figure # 2, lower it into the tops of the columns. If you don't, then the columns will have to be placed horizontal on the floor, and the Crossbeam installed in the columns. Then the entire end structure (two columns and a cross rail) will need to be stood up as one. **Note: Make sure to install Crossbeams so that the Safety Latches / threaded Bolt are facing to outside of the lift, once stood up. The Cables will run on the inside of the Crossbeams.**
9. Unpack the Lock Ladders (Item # 5) Figure # 1 from the package and slide them into the precut slot on the Rub Blocks (Item # 56) inside each column. After removing the top nut from the lock ladder you are ready to install the Top Caps (Items # 3 & 4) Figure # 1 on the columns.
10. Be aware of the offset hole in Top Caps. Arrange them so that the cable mounting holes are closest to the runways. Use provided bolts, nuts, washers, and lock washers to install Top Caps as shown in Figure # 1.
11. Secure Top Cap and Lock Ladder assemblies together with Washer and Nut (Items # 32 & 92). Position the Crossbeams at the second lowest locking position on all columns.
12. Stand Up and arrange the two end structures (Columns & Crossbeams) so that the outside of the cross rail to the outside of the cross rail measure's 170.5". Compare the measurements from the left and the right until they are diagonally within 1/2". The 1/2" variance will help in mounting the runways.
13. Lift and position each Runway into place and secure with the provided Hex Bolts (Item # 22) as shown in Figure # 1. The lift will square itself as you further assemble it.  
**Note: Install the Offside Runway (Item # 34) opposite from the Mainside Runway (Item # 33) and Power unit Column as shown in Figure # 1.**
14. Route and mount the appropriate Cable(s) (Items # 48, 49, 50 & 51) to each Column Top Cap, while ensuring that the Plastic Cable Pulley (Item # 47) is between the Cable and the Lock Ladder. This will allow the secondary slack cable lock to function properly. See Figure # 6 for Cable routing installation.  
**Note: Make sure all Cables are properly routed around Cable Sheaves.**

15. Install all Lock Rods & Linkage components per the drawing on (Page 18) Figure #5. Also, install Eye bolts (Item # 26) to middle and outside of Crossbeam on each end. Secure each bolt with Hex Nut (Item # 18).
16. Mount Power Unit (Item # 7) to the Mainside Column w/ attached mounting bracket using the hardware provided shown in Figure # 1. Once mounted, fill the Power Unit reservoir tank with hydraulic fluid. Now, install the 90 degree Hydraulic Fitting (Item #17) to the high pressure port on the Power Unit. Connect the electrical power to the Power Unit.
17. Install the “braded” Hydraulic Hose (Item # 16) Figure # 4 to the Fitting (Item # 37) on the side of the Mainside Runway and the other end to the 90 degree fitting on the Power Unit as shown in Figure # 4.
18. Raise unit and set on the locks. Place level on crossbeam.
19. Tighten Lock Ladder Rod Nut located on the top of each posts. This will raise the corner of the lift to adjust for leveling. Each post has this adjustment. Adjust the proper posts to level the lift. Place level on each runway and crossbeam and check for proper levelness.

**NOTE: YOU MAY HAVE TO LOOSEN THE NUT UNDER TOP PLATE TO MAKE ADJUSTMENTS.**

20. After leveling is complete, tighten the Nut on the Lock Rod underneath the Top Cap on each post. This will lock the Lock Ladder in position.
21. Raise lift off all locks until cables are supporting the lift. Adjust the Cable Nylon Lock Nut (Item # 39) located on the top of each post until lift is level on crossbeams and runways. This will ensure the lift travels up and down level.

**NOTE: YOU MAY NEED TO USE LOCKING PLIERS TO HOLD THE CABLE FROM TURNING WHEN ADJUSTING THE NYLON NUT. MAKE SURE THAT THREADS ENGAGE THROUGH NYLON ON EACH NYLON NUT.**

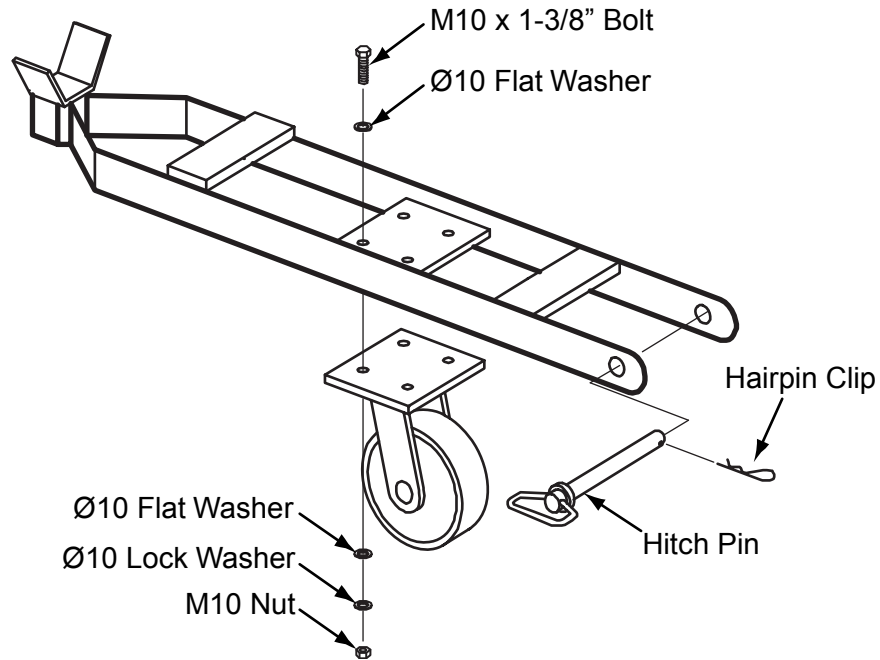
22. Raise lift to a comfortable height to install the 4ea Angle Brackets (Item # 90) to the underside of the main side Runway (Item # 33). Attach each bracket using the hardware provided (Items # 74 & 91) as shown in Figure # 3.
23. Install the Plastic board (Item # 73) Figure # 3 into the Angle Bracket slots on the underside of the main side Runway.
24. Install front Wheel Stops (Item # 35) as shown with provided hardware shown in Figure #1.
25. Install the Drive On Ramps.

**NOTE: PLEASE LUBRICATE ALL CABLE SHEAVES, BEARINGS, AND SHAFTS WITH GREASE PRIOR TO OPERATING THE LIFT.**

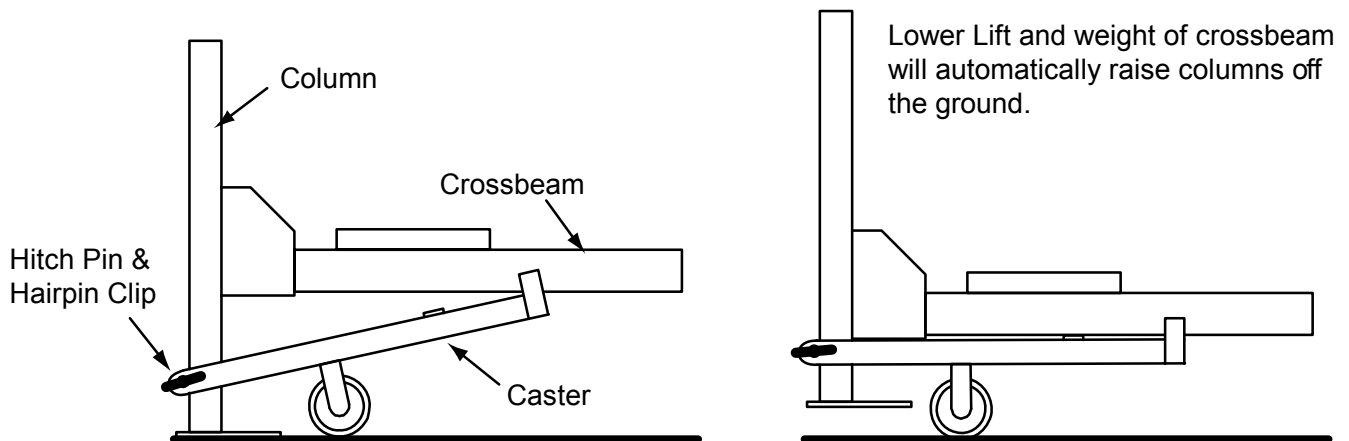
# OPTIONAL CASTER KIT

1. Install caster wheels to caster frames as shown.

**NOTE: Hitch Pin and Hairpin Clip will be used to attach casters to lift in following steps. DO NOT Install at this time.**



1. Raise lift 2' - 3' high.
2. Place caster assemblies under crossbeams as shown. Secure with Hitchpin and Hairpin Clip.
3. Lower lift and the columns will automatically raise off the floor.



## **SPECIAL NOTE**

### **This Lift does not require bolting to the floor** (BUT)

If you choose the option to anchor the Lift to the floor please follow the detailed instructions and criteria below.

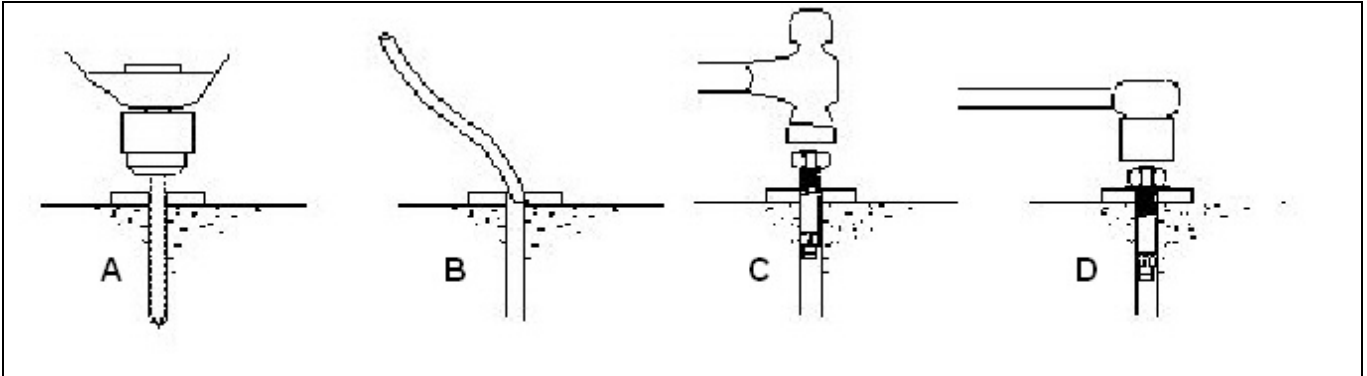
## **FOUNDATION and ANCHORING REQUIREMENTS**

1. Concrete shall have compression strength of at least 3,000 PSI and a minimum thickness of 4" in order to achieve a minimum anchor embedment of 3 ¼".  
**NOTE:** When using (¾" x 5 ½") long anchors; if the top of the anchor exceeds 2 ¼" above the floor grade, you DO NOT have enough embedment.
2. Maintain a 6" minimum distance from any slab edge or seam. Hole to hole spacing should be a minimum 6 ½" in any direction. Hole depth should be a minimum of 4".

## **CAUTION!!**

3. **DO NOT** install on asphalt or other similar unstable surface. Columns are supported only by anchoring to floor.
4. Shim each column base as required until each column is plumb. If one column has to be elevated to match the plane of the other column, full size base shim plates should be used. Torque anchors to 85 ft-lbs. Shim thickness **MUST NOT** exceed ½" when using the 5 ½" long anchors with the lift. Adjust the column extensions plumb.
5. If anchors do not tighten to 85 ft-lbs. installation torque, replace the concrete under each column base with a 4' x 4' x 6" thick 3,000 PSI minimum concrete pad keyed under and flush with the top of existing floor. Allow concrete to cure before installing lifts and anchors (typically 2 to 3 weeks).

## ANCHORING TIP INSTRUCTIONS



### **CAUTION!!**

**Anchors must be at least 6" from the edge of the slab or any seam.**

1. Use a concrete hammer drill with a carbide tip, solid drill bit the same diameter as the anchor,  $\frac{3}{4}$ " (.775 to .787 inches diameter). Do not use excessively worn bits or bits which have been incorrectly sharpened.
2. Keep the drill in a perpendicular line while drilling.
3. Let the drill do the work. Do not apply excessive pressure. Lift the drill up and down occasionally to remove residue to reduce binding.
4. Drill the hole to depth equal to the length of anchor. **Note:** Drilling thru concrete (recommended) will allow the anchor to be driven thru the bottom of foundation if the threads are damaged or if the lift will need to be relocated.
5. For better holding power blow dust from the hole.
6. Place a flat washer and hex nut over threaded end of anchor, leaving approximately  $\frac{1}{2}$  inch of thread exposed carefully tap anchor. Do not damage threads. Tap anchor into the concrete until nut and flat washer are against base plate. **Do not use an impact wrench to tighten!** Tighten the nut, two or three turns on average concrete (28-day cure). If the concrete is very hard only one or two turns may be required. Check each anchor bolt with torque wrench set to 85 foot pounds.

# **OWNER / EMPLOYER RESPONSIBILITIES**

## **The Owner / Employer:**

- Shall ensure that lift operators are qualified and that they are trained in the safe use and operation of the lift using the manufacturer's operating instructions; ALI/SM01-1, *ALI Lifting it Right* safety manual; ALI/ST-90 *ALI Safety Tips* card; ANSI/ALI ALOIM-2000, *American National Standard for Automotive Lifts-Safety Requirements for Operation, Inspection and Maintenance*; ALI/WL Series, *ALI Uniform Warning Label Decals/Placards*; and in the case of frame engaging lifts, ALI/LP-GUIDE, *Vehicle Lifting Points/Quick Reference Guide for Frame Engaging Lifts*.
- Shall establish procedures to periodically inspect the lift in accordance with the lift manufacturer's instructions or ANSI/ALI ALOIM-2000, *American National Standard for Automotive Lifts-Safety Requirements for Operation, Inspection and Maintenance*; and The Employer Shall ensure that lift inspectors are qualified and that they are adequately trained in the inspection of the lift.
- Shall establish procedures to periodically maintain the lift in accordance with the lift manufacturer's instructions or ANSI/ALI ALOIM-2000, *American National Standard for Automotive Lifts-Safety Requirements for Operation, Inspection and Maintenance*; and The Employer Shall ensure that lift maintenance personnel are qualified and that they are adequately trained in the maintenance of the lift.
- Shall maintain the periodic inspection and maintenance records recommended by the manufacturer or ANSI/ALI ALOIM-2000, *American National Standard for Automotive Lifts-Safety Requirements for Operation, Inspection and Maintenance*.
- Shall display the lift manufacturer's operating instructions; ALI/SM 93-1, *ALI Lifting it Right* safety manual; ALI/ST-90 *ALI Safety Tips* card; ANSI/ALI ALOIM-2000, *American National Standard for Automotive Lifts-Safety Requirements for Operation, Inspection and Maintenance*; and in the case of frame engaging lifts, ALI/LP-GUIDE, *Vehicle Lifting Points/Quick Reference Guide for Frame Engaging Lifts*; in a conspicuous location in the lift area convenient to the operator.
- Shall not modify the lift in any manner without the prior written consent of the manufacturer.
- Shall provide necessary lockout/tagout means for energy sources per ANSI Z244.1-1982 (R1993), *Safety Requirements for the Lockout/Tagout of Energy Sources*, before beginning any lift repairs.

## **Lift Lockout/Tagout Procedure**

### **Purpose**

This procedure establishes the minimum requirements for the lockout of energy that could cause injury to personnel by the operation of lifts in need of repair or being serviced. All employees shall comply with this procedure.

### **Responsibility**

The responsibility for assuring that this procedure is followed is binding upon all employees and service personnel from outside service companies (i.e., Authorized Rotary Installers, contactors, etc.). All employees shall be instructed in the safety significance of the lockout procedure by the facility owner/manager. Each new or transferred employee along with visiting outside service personnel shall be instructed by the owner/manager (or assigned designee) in the purpose and use of the lockout procedure.

## Preparation

Employees authorized to perform lockout shall ensure that the appropriate energy isolating device (i.e., circuit breaker, fuse, disconnect, etc.) is identified for the lift being locked out. Other such devices for other equipment may be located in close proximity of the appropriate energy isolating device. If the identity of the device is in question, see the shop supervisor for resolution. Assure that proper authorization is received prior to performing the lockout procedure.

## Sequence of Lockout Procedure

- 1) Notify all affected employees that a lockout is being performed and the reason for it.
- 2) Unload the subject lift. Shut it down and assure the disconnect switch is "OFF" if one is provided on the lift.
- 3) The authorized lockout person operates the main energy isolation device removing power to the subject lift.
  - If this is a lockable device, the authorized lockout person places the assigned padlock on the device to prevent its unintentional reactivation. An appropriate tag is applied stating the person's name, at least 3" x 6" in size, an easily noticeable color, and states not to operate device or remove tag.
  - If this device is a non-lockable circuit breaker or fuse, replace with a "dummy" device and tag it appropriately as mentioned above.
- 4) Attempt to operate lift to assure the lockout is working. Be sure to return any switches to the "OFF" position.
- 5) The equipment is now locked out and ready for the required maintenance or service.

## Restoring Equipment to Service

- 1) Assure the work on the lift is complete and the area is clear of tools, vehicles, and personnel.
- 2) At this point, the authorized person can remove the lock (or dummy circuit breaker or fuse) & tag and activate the energy isolating device so that the lift may again be placed into operation.

## Rules for Using Lockout Procedure

Use the Lockout Procedure whenever the lift is being repaired or serviced, waiting for repair when current operation could cause possible injury to personnel, or for any other situation when unintentional operation could injure personnel. No attempt shall be made to operate the lift when the energy isolating device is locked out.

## Operating Conditions

**Lift is not intended for outdoor use and has an operating ambient temperature range of 41°-104°F (5°-40°C).**

# **SAFETY PROCEDURES**

- Never allow unauthorized persons to operate lift. Thoroughly train new employees in the use and care of lift.
- Caution - the power unit operates at high pressure.
- Remove passengers before raising vehicle.
- Prohibit unauthorized persons from being in shop area while lift is in use.

- Total lift capacity is 8,000-lbs. Do not exceed this capacity.
- Prior to lifting vehicle, walk around the lift and check for any objects that might interfere with the operation of lift and safety latches; tools, air hoses, shop equipment.
- When approaching the lift with a vehicle, make sure to center the vehicle between the columns. Slowly drive the vehicle up with some one outside the vehicle guiding the driver.
- Prior to lowering vehicle, walk around the lift and check for any objects that might interfere with the operation of lift and safety latches; tools, air hoses, shop equipment.
- Slowly drive the vehicle on and off of the lift. Have some one outside the vehicle guide the driver.

## **CAUTION NOTE !!**

**LUBRICATE ALL CABLE SHEAVES, BEARINGS, AND SHAFTS WITH GREASE PRIOR TO OPERATING THE LIFT. LUBRICATE ALL ON AN ANNUAL BASIS.**

**Motors and all electrical components are not sealed against the weather and moisture. Install this lift in a protected indoor location. Failure by the owner to provide the recommended shelter could result in unsatisfactory lift performance, property damage, or personal injury.**

## **OPERATION INSTRUCTIONS**

**NOTE: ALWAYS CHOCK WHEELS AND SET PARKING BRAKE BEFORE LIFTING VEHICLE!**

**Only authorized personnel are to operate lift. Read Operating and safety procedures Manual completely before operating lift.**

- Properly maintain and inspect lift in accordance to owner' manual.
- Do not operate a lift that is damaged or in need of repair.
- Allow only authorized personnel in the lift bay.
- Stay clear of lift when raising or lowering (no riders).
- Keep hands and feet away from pinch points at all times.
- Never override the lift operating and safety controls.
- If a vehicle is suspected of falling, clear area immediately.
- Do not rock vehicle while positioned on lift.
- Always use safety jack stands when removing or installing heavy components.

### **Vehicle Loading:**

- Position vehicle on lift runways by having another person guide you onto the runways. Check for proper weight distribution (center of gravity should be evenly distributed between columns).
- Set vehicle parking brake and chock tires to prevent vehicle movement.
- Use caution before lifting pickup trucks, suv's and other vehicles. The individual axle weight capacity should not exceed 1/2 of lift capacity.
- Make sure vehicle is neither front nor rear heavy.

### **Raising Lift:**

- Push up switch to raise lift until platform runways clear floor.

- Stop and check for vehicle movement and vehicle weight distribution. If secure raise to desired height.
- Always lower the lift to the nearest lock position by pressing the lower lever to relieve the hydraulic pressure and let the latch set tight in a lock position.
- Never work under a lift that is not in the locked position.

**Lowering Lift:**

- Clear all obstacles from under lift and vehicle, and ensure only lift operator is in the lift area.
- Stay clear of lift and raise the lift off the safety locks.
- Pull safety latch releases and press the lower lever to begin descent.
- Ensure lift is fully lowered, and having another person guide you, carefully unload the lift by driving off of the lift runways.

## **CAUTION**

**PAY ATTENTION TO THE LOWERING SPEED OF ALL FOUR CORNERS. MAKE SURE THEY ARE MOVING DOWN AT THE SAME SPEED. STOP LOWERING THE LIFT BY RELEASING THE LOWERING LEVER ON THE POWER UNIT AND MOVING THE LOCK LEVER TO THE LOCK POSITION IF ANY CORNER STOPS MOVING OR IS SLOWER IN DESCENT. ALWAYS LOCK THE LIFT BEFORE GOING UNDER THE VEHICLE. NEVER ALLOW ANYONE TO GO UNDER THE LIFT WHEN RAISING OR LOWERING.**

**NOTE: It is normal for an empty lift to lower slowly - it may be necessary to add weight.**

<b>⚠ CAUTION</b>	<b>⚠ CAUTION</b>
	
<b>Lift to be used by trained operator ONLY.</b>	<b>Authorized personnel only in lift area.</b>

The messages and pictographs shown are generic in nature and are meant to generally represent hazards common to all automotive lifts regardless of specific style.

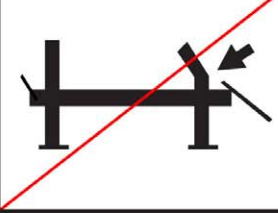
Funding for the development and validation of these labels was provided by the Automotive Lift Institute, PO Box 1519 New York, NY, 10101-1519.

They are protected by copyright. Set of labels may be obtained from ALI or its member companies.



© 1992 by ALI, Inc.

ALI/WL200c

<b>SAFETY INSTRUCTIONS</b>	<b>SAFETY INSTRUCTIONS</b>
	
<b>Read operating and safety manuals before using lift.</b>	<b>Proper maintenance and inspection is necessary for safe operation.</b>

<b>SAFETY INSTRUCTIONS</b>	<p>The messages and pictographs shown are generic in nature and are meant to generally represent hazards common to all automotive lifts regardless of specific style.</p> <p>Funding for the development and validation of these labels was provided by the Automotive Lift Institute, PO Box 1519 New York, NY, 10101-1519.</p> <p>They are protected by copyright. Set of labels may be obtained from ALI or its member companies.</p>
	
<b>Do not operate a damaged lift.</b>	© 1992 by ALI, Inc. ALI/WL200s

<b>⚠ WARNING</b>	<b>⚠ WARNING</b>
	
<b>Clear area if vehicle is in danger of falling.</b>	<b>Remain clear of lift when raising or lowering vehicle.</b>

<b>⚠ WARNING</b>	<b>⚠ WARNING</b>
	
<b>Keep clear of pinch points when lift is moving.</b>	<b>Keep feet clear of lift while lowering.</b>

<b>⚠ WARNING</b>	<b>⚠ WARNING</b>
	
<b>Do not override self-closing lift controls.</b>	<b>Chock wheel to prevent vehicle movement.</b>

The messages and pictographs shown are generic in nature and are meant to generally represent hazards common to all automotive lifts regardless of specific style.

Funding for the development and validation of these labels was provided by the Automotive Lift Institute, PO Box 1519 New York, NY, 10101-1519.

They are protected by copyright. Set of labels may be obtained from ALI or its member companies.

© 1992 by ALI, Inc.

ALI/WL200w

Read and heed all WARNING, CAUTION and SAFETY INSTRUCTION labels on lift.

## PREVENTIVE MAINTENANCE SCHEDULE

The periodic Preventive Maintenance Schedule given is the suggested minimum requirements and minimum intervals; accumulated hours or monthly period, which ever comes sooner.

Periodic maintenance is to be performed on a **daily**, **weekly**, and **yearly** basis as given in the following paragraphs.

## **WARNING!!**

**Occupational Safety and Health Administration (OSHA) and the American National Standards Institute (ANSI) requires users to inspect lifting equipment at the start of every shift. These and other periodic inspections are the responsibility of the user.**

**Failure to perform the daily pre-operational check can result in expensive property damage, lost production time, serious personal injury, and even death. The safety latch system must be checked and working properly before the lift is put to use.**

**Failure to heed this warning can result in death or serious injury, or damage to equipment. If you hear a noise not associated with normal lift operation, or, if there is any indications of impending lift failure - CEASE OPERATION IMMEDIATELY! - Inspect, correct and/or replace parts as required.**

### **Daily Pre-Operation Check (8-Hours)**

- Check safety lock audibly and visually while in operation
- Check safety latches for free movement and *full engagement with rack*.
- Check hydraulic connections, and hoses for leakage.
- Check cables connections bends, cracks-and for loose fittings.
- Check for frayed cables in both raised and lowered position.
- Check snap rings at all rollers and sheaves.
- Check bolts, nuts, and screws and tighten if needed.
- Check wiring & switches for damage.
- Check floor for stress cracks near columns.
- Check Lubrications on cable sheaves and shafts.

### **Weekly Maintenance (every 40-Hours)**

- **IF LIFT IS ANCHORED TO FLOOR** - Check anchor bolts torque to **50 ft-lbs** for the  $\frac{3}{4}$  in. anchor bolts. Do not use an impact wrench to tighten anchor bolts.
- Check floor for stress cracks near columns
- Check hydraulic oil level.
- Check and tighten bolts, nuts, and screws.
- Check all cable sheaves/assembly for free movement or excessive wear on cable sheave shaft.

## **Yearly Maintenance**

- Lubricate the cable sheave shaft by using grease gun at least once a year after the lift is in service.
- Check for excessive wear of cable. Replace them if necessary.
- Change the hydraulic fluid - good maintenance procedure makes it mandatory to keep hydraulic fluid clean. No hard fast rules can be established; - operating temperature, type of service, contamination levels, filtration, and chemical composition of fluid should be considered. If operating in dusty environment shorter interval may be required.

## **Special Maintenance Tasks**

**NOTE: The following items should only be performed by a trained maintenance expert:**

- Replacement of hydraulic hoses.
- Replacement of cables and sheaves.
- Replacement or rebuilding air and hydraulic cylinders as required.
- Replacement or rebuilding pumps / motors as required.
- Checking of hydraulic cylinder rod and rod end (threads) for deformation or damage.

## **CAUTION!!**

**Relocating or changing components may cause problems. Each component in the system must be compatible; an undersized or restricted line will cause a drop in pressure. All valve, pump, and hose connections should be sealed and/or capped until just prior to use. Air hoses can be used to clean fittings and other components. However, the air supply must be filtered and dry to prevent contamination. Most important is cleanliness; Contamination is the most frequent cause of malfunction or failure of hydraulic equipment.**

# **TROUBLESHOOTING**

The common problems that may be encountered and their probable causes are covered in the following paragraphs:

- **Motor Does Not Operate**

Failure of the motor to operate is normally caused by one of the following:

1. Breaker or fuse blown.
2. Faulty wiring connections; call electrician.
3. Defective up button; call electrician for service.

- **Motor Functions but Lift Will Not Rise**

If the motor is functioning, but the lift will not rise do the following in the order given:

1. A piece of trash is under check valve. Push handle down and push the up button at the same time. Hold for 10-15 seconds. This should flush the system.
2. Check the clearance between the plunger valve of the lowering handle. There should be 1/16" clearance.
3. Remove the check valve cover and clean ball and seat.

## **WARNING!!**

**Failure to properly relieve pressure in the following step can cause injury to personnel. This lift uses ISO Grade 32 or other good grade non-detergent hydraulic oil at a high hydraulic pressure. Be familiar with its toxicological properties, precautionary measures to take, and first aid measures as stated in the Safety Summary before performing any maintenance with the hydraulic system.**

4. Oil level too low. Oil level should be just under the vent cap port when the lift is down. Relieve all hydraulic pressure and add oil as required.

- **Oil Blows out Breather of Power Unit**

If oil blows out of the breather of the power unit, take the following actions:

1. Oil reservoir overfilled. Relieve all pressure and siphon out hydraulic fluid until at a proper level
2. Lift lowered too quickly while under a heavy load. Lower the lift slowly under heavy loads.

- **Motor Hums and Will Not Run**

If the motor hums but fails to run, take the following actions:

1. Lift overloaded. Remove excessive weight from lift

**WARNING!!**

The voltages used in the lift can cause death or injury to personnel. In the following steps, make sure that a qualified electrician is used to perform maintenance

2. Faulty wiring..... Call electrician
3. Bad capacitor..... Call electrician
4. Low voltage..... Call electrician

- **Lift Jerks Going Up and Down**

1. If the lift jerks while going up and down, it is usually a sign of air in the hydraulic system. Raise lift all the way to top and return to floor. Repeat 4-6 times. **Do not let this overheat power unit.**

- **Oil Leaks**

Oil leak causes at the power unit and cylinders are normally caused by the following:

1. Power unit: if the power unit leaks hydraulic oil around the tank-mounting flange check the oil level in the tank. The level should be two inches below the flange of the tank. A screwdriver can be used as a "dipstick".
2. Cylinder - Piston Rod: the rod seal of the cylinder is out. Rebuild or replace the cylinder.
3. Cylinder - Vent: the piston seal of the cylinder is out. Rebuild or replace the cylinder.

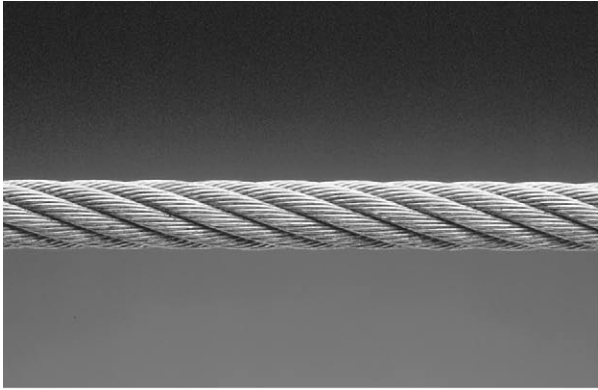
- **Lift makes excessive noise / vibrates**

Excessive noise from the lift is normally caused by the following:

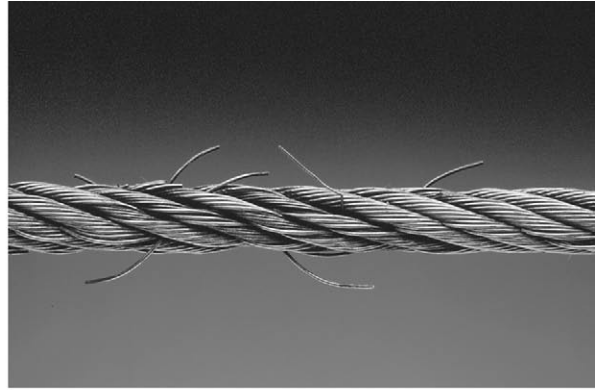
1. Cross beam ends are rubbing the columns. Readjustment needed.
2. Cylinder too tight, load lift half capacity and cycle up and down a few times to break in.
3. May have excessive wear on cable sheaves or shafts. Replace them.

# Cable Inspection Guide

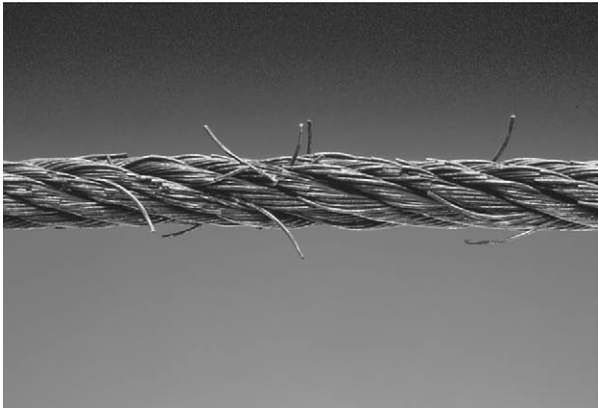
Maximum Allowable Cable Necking	
Nom. Cable Diameters	Max. Reduction in Diameter
Up to 5/16"	1/64"
3/8" to 1/2"	1/32"
9/16" to 3/4"	3/64"
7/8" to 1-1/8"	1/16"
1-1/4" to 1-1/2"	3/32"



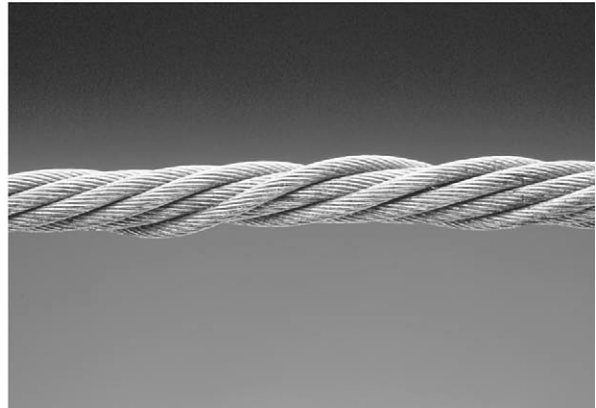
Typical Good Cable



Cable With Broken Wires



Cable With Severe Corrosion



Cable With Necking

## Daily Inspection & Maintenance

1. Cleanliness: Cables, Columns, Runways and other lift parts should be kept free of corrosive agents, solvents, and road salts. If such agents are spilled or splashed on any lift component, immediately rinse thoroughly with water and wipe down with a clean rag. Spray wire rope cables as required with Penetrating Oil and wipe down.

Failure to keep lift free of corrosive agents and solvents will lead to reduced component service life, cable failure, etc., which could result in property damage and/or personal injury.

2. Fasteners: Check all the attaching bolts and nuts for tightness.

3. Cables: Check wire rope cables for wear or damage. Any cable with broken wires, severe corrosion, excessive stretch, deformed strands, variations in diameter (necking), or any change from its normal appearance, must be replaced. If any cable is found to be in need of replacement, the entire cable set must be replaced immediately. Refer to figures below.
4. Sheaves: Check sheaves (pulleys) for wear or damage, i.e. wobble (tilt), cracks, loose on pin, or excessive noise during operation.
5. Sheave Pins: Check for loose or missing sheave (pulley) pins.
6. Locking Latches and Slack Cable Devices: Watch locking latches and slack cable devices during lift operation to ensure that latches work properly and line up with slots in latch plate located in columns.

## Monthly Inspection & Maintenance

### 1. Cables

1.1 Clean wire rope cables with lift in both lowered and raised position by spraying with Penetrating Oil and wiping the cable down.

1.2 Adjust cables using procedures on following pages.

2. Slack Cable Device: Inspect slack cable devices using procedure on page 5.

3. Column Anchor Bolts: Check column anchor bolts for tightness. Re-torque anchors bolts to 65 ft/lbs. If anchors do not tighten to the required installation torque, replace concrete under each column base per installation instructions. Let concrete cure before installing lifts and anchors.

4. Columns: Look for corrosion, giving special attention to the area at the base of the column. Check severely corroded areas by pecking with an awl or welder's chipping hammer. If column is corroded through at any point it must be replaced immediately. If not corroded through, remove old paint and rust scale, then coat with a high quality corrosion resistant paint.

**NOTE** A thorough inspection of the lifting system must be performed quarterly by qualified lift service personnel; more frequently (monthly) under extreme service conditions such as outside installations or high usage (10 or more cycles per day, etc.).

## Quarterly Inspection & Maintenance

### 1. Cables

1.1 Inspect cables in both lowered and raised position. The cables may also be viewed through various inspection holes and openings in yokes and runways. Check all the following:

- a. That cables have no broken wires visible, reference Daily Inspection & Maintenance.
- b. That cables are free of severe corrosion and pitting, reference Daily Inspection & Maintenance. A light surface corrosion on exposed outer wires is normal. Penetrating

Oil should be applied during monthly periodic inspection.

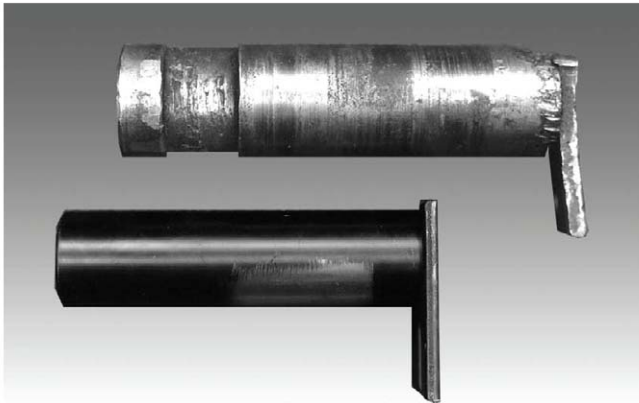
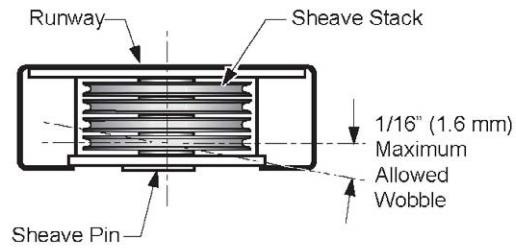
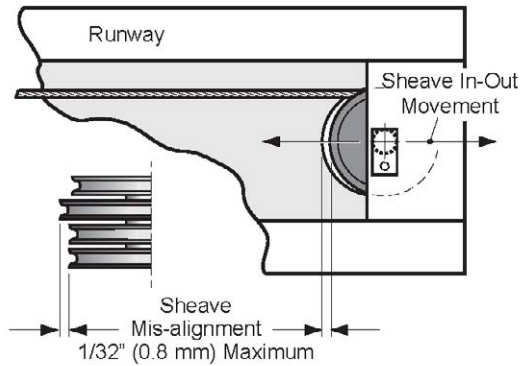
- c. That there are no areas on the cable that have a greatly reduced diameter or “necking”, reference Daily Inspection & Maintenance. When any cable is found with excessive necking, all cables must be replaced immediately.
- d. That cables do not have excessive stretch. It is normal for new cable to require adjustment during “break-in”, after which small periodic adjustments may be required. However, if a cable that has been in service for 6 months should suddenly require frequent adjustments or has used all the cable adjustment available, all cables must be replaced immediately.
- e. If any cable is found to be in need of replacement, the entire cable set must be replaced immediately.
- f. Cables are expendable items and should be replaced as a set every 20,000 cycles (estimated) or every 6 years, unless earlier replacement is indicated during inspection.

## 2. Sheaves and Pins

Inspect sheaves and pins in yokes and runways. Sheaves are expendable items. Sheaves and pins should be replaced when worn. Use of sheaves and pins with excessive wear will lead to reduced service life of cables.

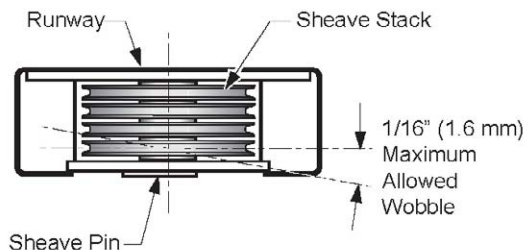
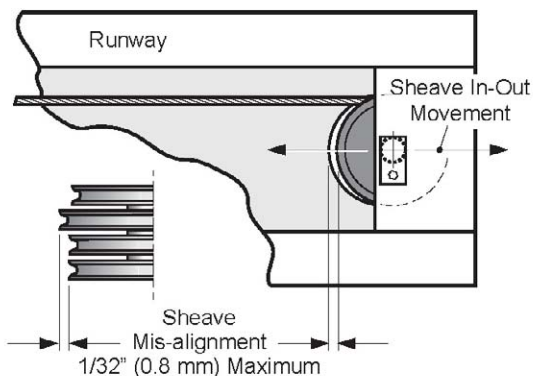
2.1 Inspect sheaves (pulleys) in yoke ends with lift in lowered position or resting on the locking latches.

- a. Hold lowering handle down and pull on cable in column to create slack in cables.
- b. Check for excessive side to side wobble. Grasp rim of sheave and attempt to wobble (tilt) side to side. If sheaves wobble (tilt) more than 3/16” (4.8 mm) side to side or move up and down on shaft more than 1/32” (0.8 mm), the sheave and pin (shaft) should be replaced, refer figures below.
- c. Check sheaves and replace if cracks are found.
- d. Check for ease of rotation. If sheaves do not turn freely, the sheave and sheave pin should be removed, inspected, lubricated, and reinstalled or replaced.



2.2 Fully raise lift. Inspect sheaves (pulleys) in runway ends with lift in raised position.

- Visually inspect alignment of sheaves, see figure above. Misalignment of sheave(s) indicates excessive wear; the sheave(s) and sheave pin should be removed and inspected. Replace as required.
- Hold lowering handle down to lower lift onto latches. Pull on cables under runway to create cable slack.



- Check for excessive side to side wobble. Grasp rim of sheave and attempt to wobble (tilt) side to side, refer to figures above. If sheaves wobble (tilt) more than 1/16" (1.6 mm) side to side, or move in and out more than 1/32" (0.8 mm), the sheave and sheave pin (shaft) should be replaced, refer to figures above.

### 3. Hydraulic Cylinder

Inspect the hydraulic cylinder mounting to the runway. Inspect cylinder and hydraulic hoses for leaks. Repair or replace as required.

1 Check and tighten the hydraulic cylinder rod nuts holding the cable pull bar.

#### 4. TRACKS for Rolling Jack and Oil Drain Pan

Inspect rolling jack/oil drain pan tracks for cleanliness, corrosion, excessive wear or damage. Clean dirty tracks.

### **WARNING!**

Worn or damaged tracks must be repaired immediately.

Failure to do so will lead to reduced service life which could result in property damage and/or personal injury.

#### 5. Latch Inspection and Adjustment

Check locking latches for proper operation. Inspect for worn or missing parts. Replace worn or damaged parts and adjust as required.

##### 1. Latches

Check latch operation on all four corners.

##### 2. Latch and Latch Bar Line-Up

Observe locking latches during lift operation to ensure that all latches line up with slots in latch bar located in all four columns. If not, relocate and/or re-shim columns.

1. Check slack cable devices for proper operation. Inspect for worn or missing parts. Replace worn or damaged parts as required.

2. Observe both locking latches and slack cable devices during lift operation to ensure that all latches line up with slots in latch bar located in all four columns.

#### Cable Adjustment

##### 1. Initial Adjustment

Adjust cable with lift fully lowered. Loosen jam nut and tighten nut on cable stud on top of column until yoke end is raised 1/4" (6.4 mm) and back off nut one turn. Retighten jam nut. Repeat for all four cables.

##### 2. Final Adjustment

- a. Load a typical vehicle on lift.
- b. Raise lift as high as it will travel (full height). You should hear the locking latches click through all latch slots simultaneously.
- c. Lower lift onto top latch position.
- d. Check clearance:
- e. Starting with the right front column, use a straight edge to mark the position of the yoke bottom on the column.
- f. Raise lift to full height again. Mark second position. If gap between two marks is less than 2", adjust locking latch bar to reach clearance of 2". Repeat for the other three columns.
- g. Adjust locking latch bar adjusting nut so that the bottom of the topmost latch bar slot is

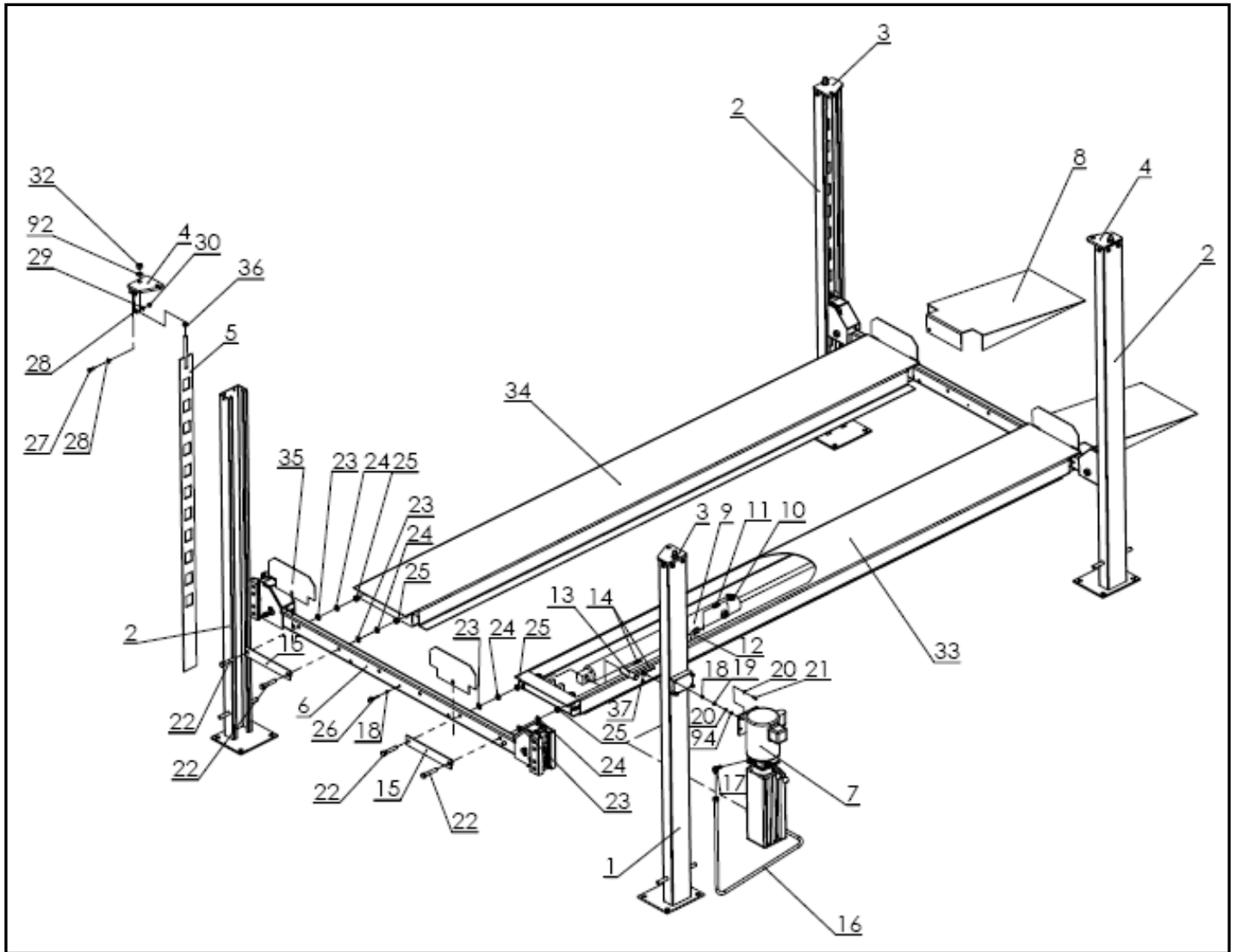
at least 2" below locking latch. After adjustment, tighten jam nut underneath column top plate, Fig. 11.

- h. If entire 2" clearance cannot be attained by adjusting the locking latch bar, adjust the cable. Turn cable adjusting nut to raise the locking latch 2" above bottom of latch bar slot. Tighten cable jam nut.
- i. Lower lift and remove vehicle.
- j. Raise the lift to full height. LISTEN and WATCH as the first locking latch clicks into place. Synchronize the other three columns with this column by adjusting their cables so all four latches click at same time. Tighten jam nuts.

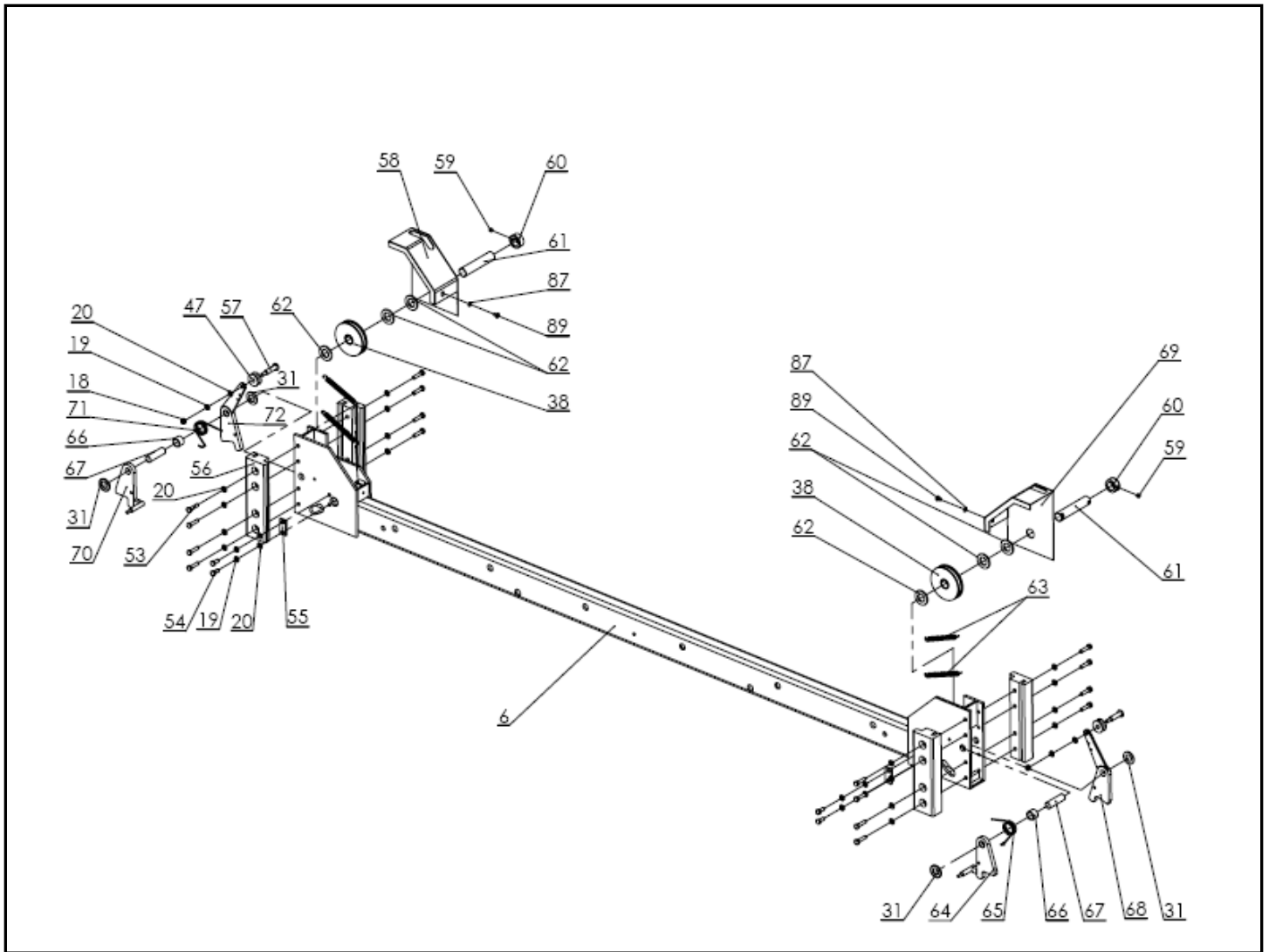
When making changes to adjustment nuts on cable end or latch bar stud, always leave at least two threads showing between nut and stud end.

Latches may not click in at the same time when vehicle is being raised. They should be close. Be sure all four corners have passed the locking latch bar slot before lowering lift on locking latches

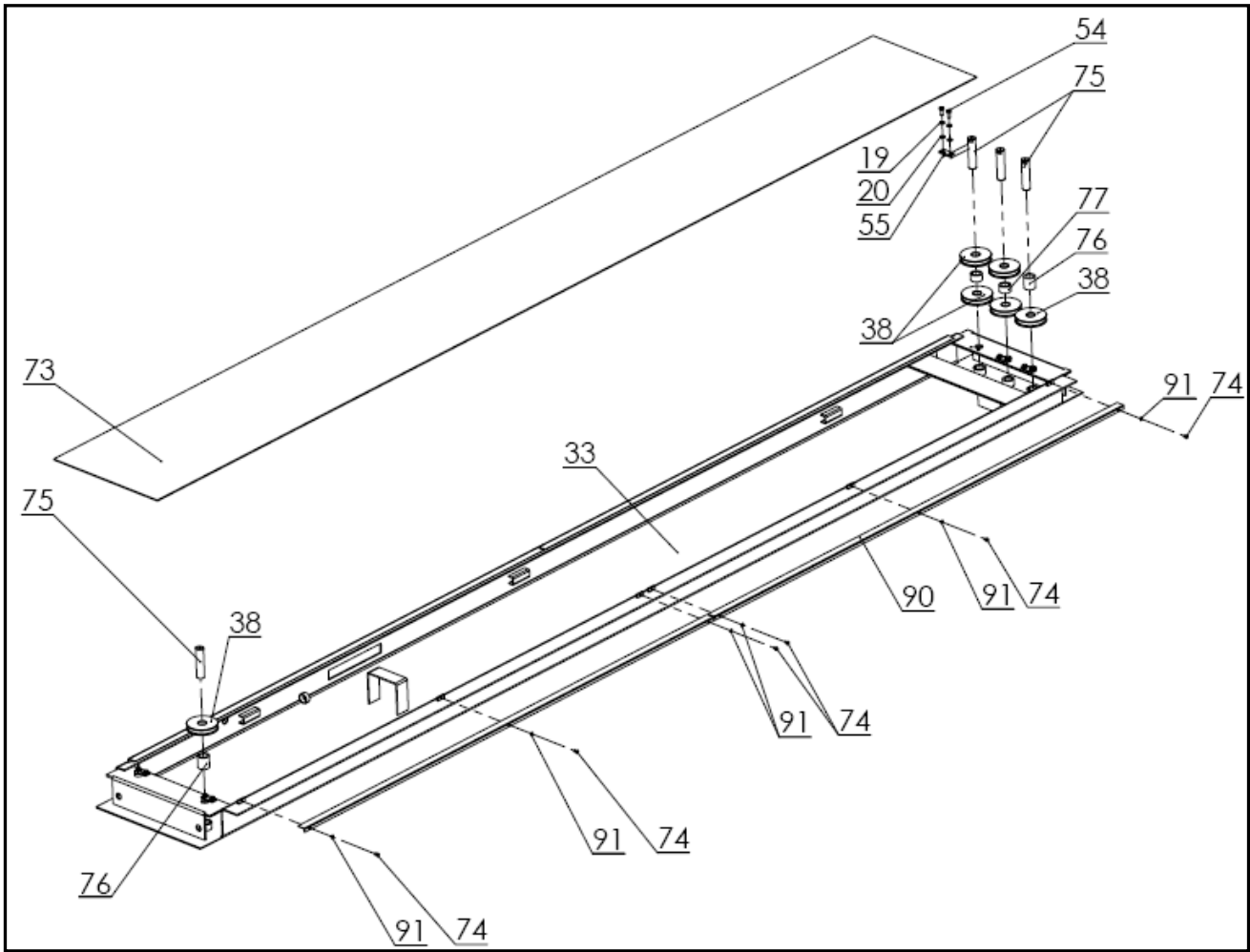
# PP8 Plus ILLUSTRATED PARTS LIST



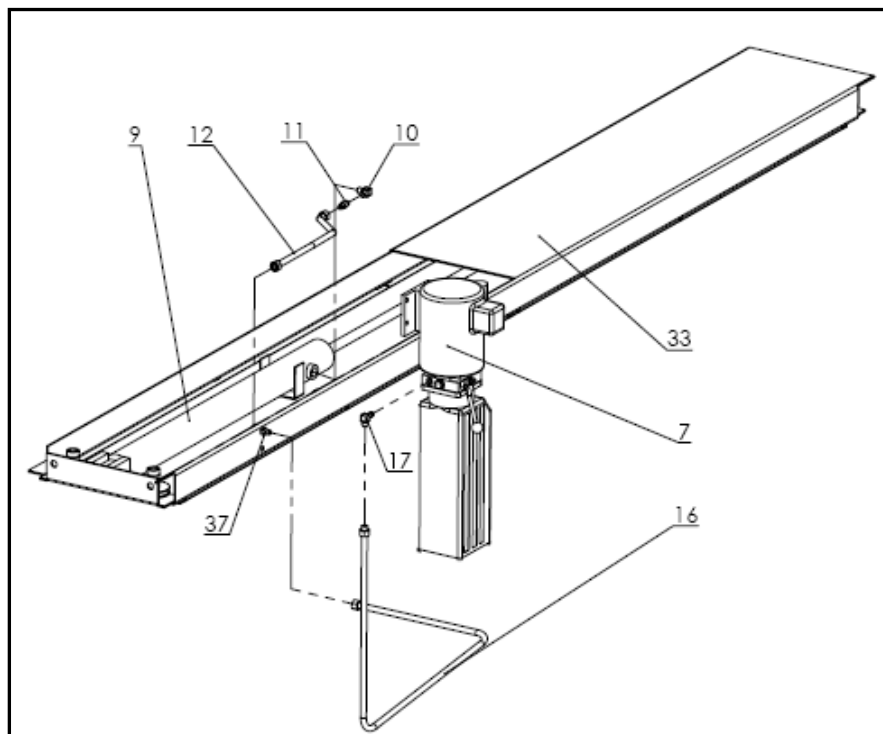
**GENERAL ILLUSTRATED PARTS LIST – FIGURE #1**



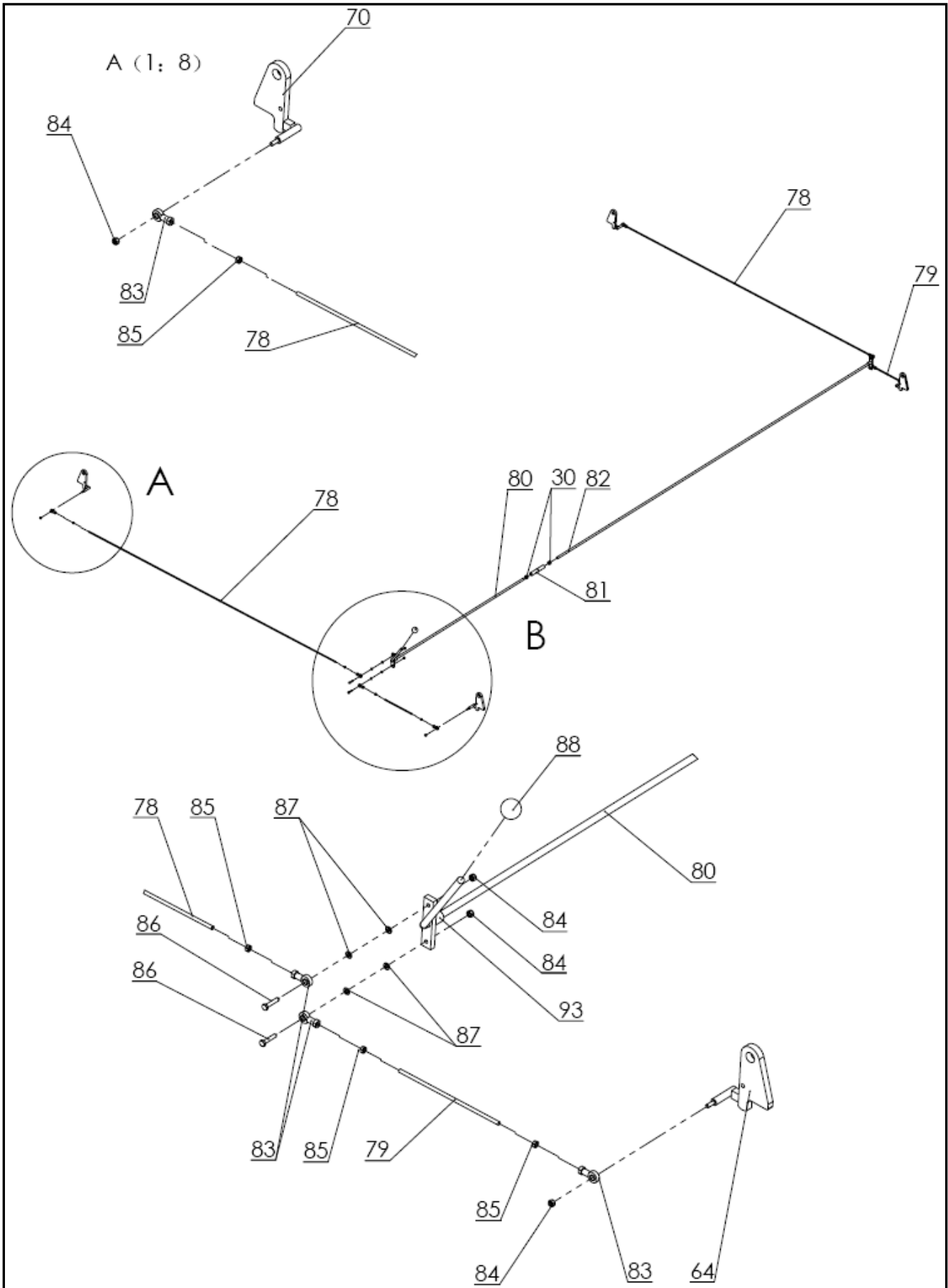
**CROSSBEAM ASSEMBLY – FIGURE # 2**



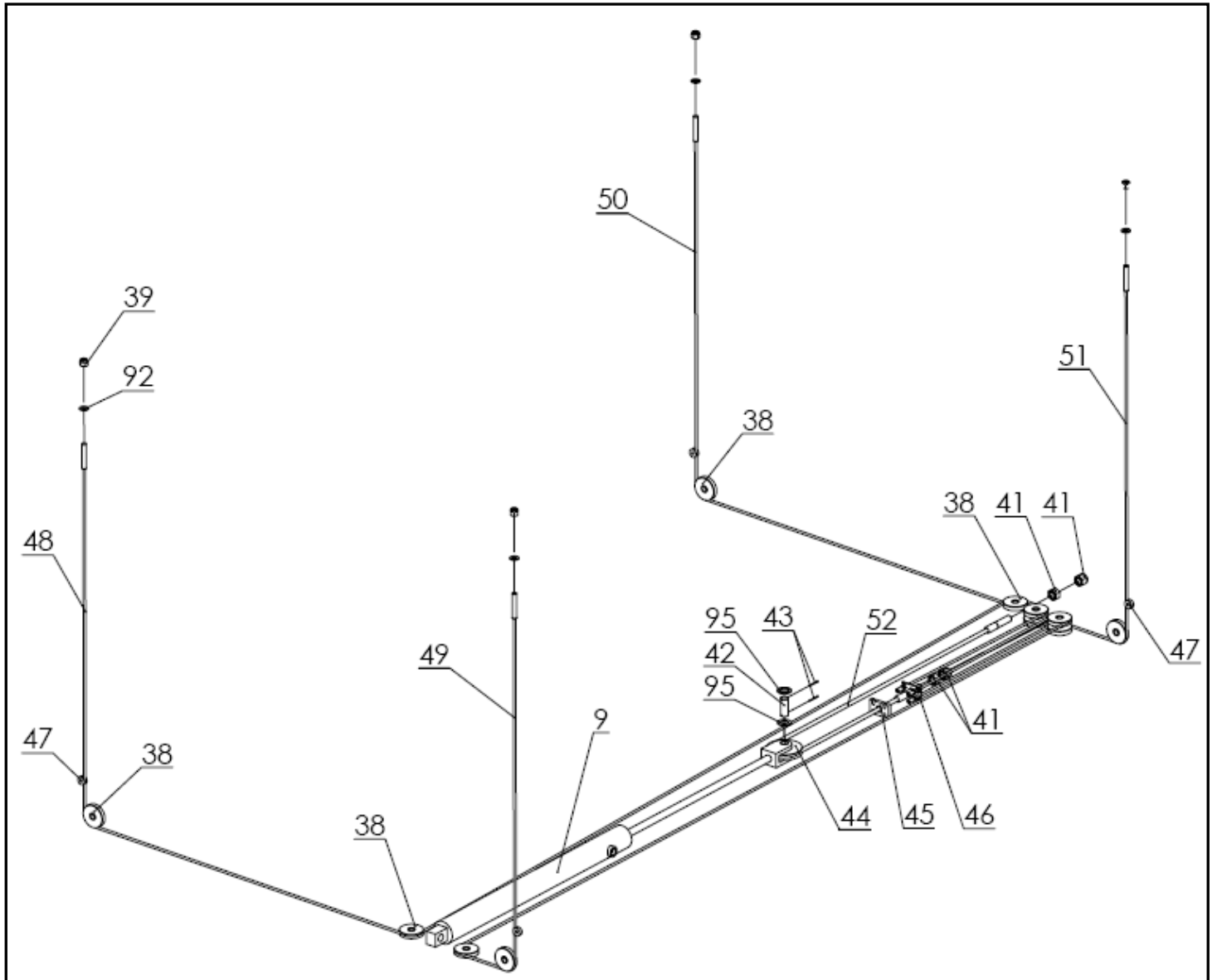
**RUNWAY & COMPONENTS – FIGURE # 3**



**HYDRAULIC COMPONENTS – FIGURE # 4**



**SAFETY LATCH & LINKAGE COMPONENTS – FIGURE # 5**



**CYLINDER & CABLE COMPONENTS – FIGURE # 6**

## PP8 Plus - Parts List

Item #	Part Number	Description	Qty
1	DP8-1000	Column A	1
2	DP8-1100	Column B	3
3	DP8-1200	Top Cap A	2
4	DP8-1200DC	Top Cap B	2
5	DP8-1310	Lock Ladder	4
6	DP8-2100	Cross Beam	2
7	P3545	Power Unit 110V	1
8	DP8-5000	Ramp	2
9	DP8-9100	Cylinder	1
10	LR-9801-11	Fitting - 90 degree	1
11	DP8-9200	Adaptor Fitting	1
12	1WB-15	Hydraulic Hose - Short	1
13	DP8-3003	Cylinder, Anchor Pin	1
14	B52-5×60	Cotter Pin - 5×60	2
15	H4D-5000	Stop Plate Bracket	4
16	1WB-05	Hydraulic Hose - Long	1
17	30400-9053YZ	Fitting - 90 degree w/ O-ring	1
18	B30-8	Hex Nut - M8	8
19	B40-8	Lock Washer - φ8	26
20	B41-8	Flat Washer - φ8	62
21	B10-8×25	Hex Bolt - M8×25	4
22	B10-18×100	Hex Bolt - M18×100	8
23	B41-18	Flat Washer - φ18	8
24	B40-18	Lock Washer - φ18	8
25	B30-18	Hex Nut - M18	8
26	H4D-7001-07	Eye Bolt - M8×50	2
27	B10-12×30	Hex Bolt - M12×30	16
28	B41-12	Flat Washer - φ12	32
29	B40-12	Lock Washer - φ12	16
30	B30-12	Hex Nut - M12	18
31	DP8-2013	Flat Washer - φ20	8
32	B30-20	Hex Nut - M20	4
33	DP8-3100	Runway, Mainside w/ cylinder	1
34	DP8-3200	Runway, Offside	1
35	H4D-5001	Wheel Stop	4
36	NH4D-3303	Hex Nut	4
37	H4D-Y003	Fitting - 90 degree	1

38	DP8-2012	Cable Sheave - 4" dia.	11
39	B33-3/4"-16	Nylon Lock Nut - 3/4"-16	4
41	B30-27×2	Hex Nut - M27×2	4
42	DP8-3004	Shaft, Cylinder Pulley	1
43	B52-3×60	Cotter Pin - 3×60	2
44	DP8-3005	Cylinder Pulley - 5.8" dia.	1
45	DP8-3001	Cable Lock Plate A	1
46	DP8-3002	Cable Lock Plate B	1
47	DP8-2004	Cable Pulley, Plastic	4
48	DP8-3012	Cable A - 3/8" x 345.5"	1
49	DP8-3011	Cable B - 3/8" x 285"	1
50	DP8-3010	Cable C - 3/8" x 184.2"	1
51	DP8-3009	Cable D - 3/8" x 123.8"	1
52	DP8-3013	Main Lifting Cable - 5/8" x 118.1"	1
53	B10-8×35	Hex Bolt - M8×35	32
54	B10-8×20	Hex Bolt - M8×20	18
55	NH4D-2005	Stopper Bracket	9
56	DP8-2003	Rub Block	8
57	DP8-2009	Latch Shaft	4
58	DP8-2001	Latch Cover A	2
59	B22-8×10	Hex Socket Screw - M8×10	4
60	DP8-2007	Adaptor Sleeve	4
61	DP8-2006	Cable Sheave Shaft A	4
62	DP8-2014	Flat Washer - φ24C	12
63	NH4D-1011	Spring, Safety Latch	8
64	DP8-2011DC	Trigger Lock A	2
65	NH4D-1004	Torsion Spring A	2
66	DP8-2008	Spacer	4
67	DP8-2005	Lock Shaft	4
68	DP8-2010DC	Safety Lock A	2
69	DP8-2002	Latch Cover B	2
70	DP8-2011	Trigger Lock B	2
71	NH4D-1004DC	Torsion Spring B	2
72	DP8-2010	Safety Lock B	2
73	DP8-3007	Plastic Board	1
74	B23-5×10	Screw, Recessed Pan Head - M5×10	12
75	DP8-3006	Cable Sheave Shaft B	5
76	DP8-3008	Bushing A	3
77	DP8-3107	Bushing B	2
78	DP8-4301	Connecting Rod A	2

79	DP8-4401	Connecting Rod B	2
80	DP8-4210	Threaded Rod – Short (Handle Rod)	1
81	H4D-7000-03	Threaded Coupling	1
82	DP8-4110	Threaded Rod – Long (“T” Rod)	1
83	B72-6	Swivel Joint	8
84	B33-6	Nylon Lock Nut - M6	8
85	B30-6	Hex Nut - M6	8
86	B10-6×30	Hex Bolt - M6×30	4
87	B41-6	Flat Washer - $\phi 6$	12
88	B84-35	Plastic Knob - $\phi 35 \times M10$	1
89	B23-6×10	Screw, Recessed Pan Head - M6×10	4
90	DP8-3014	Angle Bracket	4
91	B41-5	Flat Washer - $\phi 5$	12
92	B41-20	Flat Washer - $\phi 20$	8
93	H4D-7000-05	Steel Bushing	2
94	30400-1999	Rubber Grommet	4
95	DP8-3015	Flat Washer - $\phi 30$	2

### Options Available for PP8 Plus

(See Page 7)	DP8-7000	Caster Kit - Assembly	4
1	H4D-2100	Caster Kit - Frame Weldment	1
2	B80-6 x 2A	Caster Kit - Caster Wheel Assembly 6" x 2"	1
3	H4D-5006	Caster Kit - Hitch Pin	1
4	H4D-5006-03	Caster Kit - Hairpin Clip	1
5	B30-10	Hex Nut - M10	4
6	B40-10	Lock Washer - $\phi 10$	4
7	B41-10	Flat Washer - $\phi 10$	8
8	B10-10 x 35	Hex Bolt - M10x35	4
	DP7PNBKD-DT	Drip Tray	3
	H4D-6000	Jack Tray / Tool Box	1

# WARRANTY POLICY

- **Two Post / Four Post, Vehicle and Specialty Lifts** weight capacity models **7,000lb thru 14,000lb** are warranted for **(5)** years on structural components and **(2)** years on hydraulic power units and cylinders from invoice date.
- **Low Rise and Mid Rise Lifts** weight capacity models **6,000lb** are warranted for **(2)** years on structural components and **(2)** years on hydraulic power units and cylinders from invoice date.
- **Rotisserie units, Motor Cycle Lifts, Jacks, Lift Accessories, Jack Stands and Lift Kits, etc.** are warranted for **(1)** year on structural components and **(1)** year on air / hydraulic power units, pneumatic cylinders and components from invoice date.

**NOTE: ALL WARRANTY CLAIMS MUST BE PRE-APPROVED BY THE MANUFACTURER TO BE VALID.**

The Manufacturer shall repair or replace at their option for this period those parts returned to the factory freight prepaid, which prove after inspection to be defective. This warranty will not apply unless the product is installed, used and maintained in accordance with the Manufacturers installation, operation and maintenance instructions.

This warranty applies to the **ORIGINAL** purchaser only, and is non-transferable. The warranty covers the products to be free of defects in material and workmanship but, does not cover normal maintenance or adjustments, damage or malfunction caused by: improper handling, installation, abuse, misuse, negligence, carelessness of operation or normal wear and tear. In addition, this warranty does not cover equipment when repairs or alterations have been made or attempted to the Manufacturer's products.

THIS WARRANTY IS EXCLUSIVE AND IS LIEU OF ALL OTHER WARRANTIES EXPRESSED OR IMPLIED INCLUDING ANY IMPLIED WARRANTY OR MERCHANTABILITY OR ANY IMPLIED WARRANTY OF FITNESS FROM A PARTICULAR PURPOSE, AND ALL SUCH IMPLIED WARRANTIES ARE EXPRESSLY EXCLUDED.

THE REMEDIES DESCRIBED ARE EXCLUSIVE AND IN NO EVENT SHALL THE MANUFACTURER, NOR ANY SALES AGENT OR OTHER COMPANY AFFILIATED WITH IT OR THEM, BE LIABLE FOR SPECIAL CONSEQUENTIAL OR INCIDENTAL DAMAGES FOR THE BREACH OF OR DELAY IN PERFORMANCE OF THIS WARRANTY. THIS INCLUDES, BUT IS NOT LIMITED TO, LOSS OF PROFIT, RENTAL OR SUBSTITUTE EQUIPMENT OR OTHER COMMERCIAL LOSS.

**This warranty shall be governed by the laws of the State of Texas, and shall be subject to the exclusive jurisdiction of the Court in the State of Texas in the County of Tarrant.**

**PRICES:** Prices and specifications are subject to change without notice. All orders will be invoiced at prices prevailing at time of shipment. Prices do not include any local, state or federal taxes.

**RETURNS:** Products may not be returned without written approval from the Manufacturer.

**DUE TO THE COMPETITIVENESS OF THE SELLING PRICE OF THESE LIFTS, THIS WARRANTY POLICY WILL BE STRICTLY ADMINISTERED AND ADHERED TO.**